



***MISS RODEO OKLAHOMA  
SCHOLARSHIP PAGEANT  
OFFICIAL RULE BOOK  
2024***

**Oklahoma Rodeo Pageants Council, Inc. Mission Statement:**

We are committed to our mission of providing diverse opportunities for the development of the young women of Oklahoma to maximize their educational potential while promoting the sport of rodeo, the State of Oklahoma, its legacy and the western way of life.

**Who is the Scholarship Pageant winner?**

This pageant winner is a young woman who strives to promote the State of Oklahoma and the sport of rodeo, and in so doing, promote Oklahoma's western heritage. She is a talented, personable horsewoman with a vast knowledge of the sport of rodeo, the equine industry, and the state of Oklahoma. She is a young woman who enjoys travel and has a sincere interest in garnering educational experiences, which will assist in laying a solid foundation for her future.

## **Pageant Eligibility**

The Oklahoma Rodeo Pageants Council, Inc. (ORPC) offers titles in four separate age groups. Please read the age breakdowns carefully.

**Miss Rodeo Oklahoma: 19 yrs. – 24 yrs.;** must have obtained the age of 19 as of November 1, 2022 and have not obtained the age of 25 by December 31, 2022.

**Miss Rodeo Oklahoma Teen: 14 yrs. – 18 yrs.;** must have obtained the age of 14 as of November 1, 2022 and not yet obtained the age of 19 as of November 1, 2022.

**Miss Rodeo Oklahoma Princess: 10 yrs. – 13 yrs.;** must have obtained the age of 10 as of November 1, 2022 and not yet obtained the age of 14 as of November 1, 2022.

**Miss Rodeo Oklahoma Sweetheart: 4 yrs. – 10 yrs.;** must have obtained the age of 4 as of November 1, 2022 and not yet obtained the age of 11 as November 1, 2022. The Sweetheart category is not designed to be competitive but to highlight our youngest rodeo enthusiasts. Sweetheart contestants will be permitted to compete for the Sweetheart or Miss Rodeo Oklahoma Princess titles in the subsequent year.

**A 10-year-old can choose to participate as either a sweetheart or a princess.**

All titleholders' reigns will be from January 1 to December 31.

## General Rules

### Eligibility and Application Process

- 1) All contestants must be residents of the state of Oklahoma and have resided in the state of Oklahoma for at least one year. This will be verified with a copy of the Miss contestants' valid Oklahoma driver's licenses (issued by July 1<sup>st</sup> of the year prior to the competition year) and copies of their most recent report card for Teen and Princess Contestants. Sweetheart contestants are exempt from providing proof of residency. (An alternate proof of one year of residency may include a utility bill in the contestant's name or a school transcript.)
- 2) Each contestant must provide a copy of her birth certificate.
- 3) All Miss, Teen and Princess Contestants must represent a rodeo, round-up club, recognized organization or business. A contestant may be selected to serve as an organization's representative without a pageant being held.
- 4) All contestants must pay the required entry fee or have it sponsored.
- 5) All contestants must submit all required documents, pictures and application by the due date on the application. There will be a \$100 late fee for any application items received within 5 days after due date. No application items will be accepted after 7 days from due date.
- 6) Contestants must have executed all consents and/or waivers of liability presented as conditions required prior to competition.
- 7) No contestant may have been married, pregnant, have a child, nor become engaged, married or pregnant during the year of her reign.
- 8) No contestant, with the exception of Miss Rodeo Oklahoma Sweethearts, may hold state or national pageant titles while competing in the Miss Rodeo Oklahoma Scholarship Pageant. Sweetheart contestants will be permitted to compete for the Sweetheart or Miss Rodeo Oklahoma Princess titles in the subsequent year.
- 9) Contestants must not have competed in a prior Miss Rodeo America Pageant.
- 10) Entry Fees
  - a. Miss -- \$300
  - b. Teen -- \$250
  - c. Princess -- \$200
  - d. Sweetheart -- \$125

- 11) All Princess, Teen and Miss Contestants are required to purchase at least one sponsorship page in the pageant program for \$200. Contestants may purchase additional pages for \$200 each. Contestants are permitted to sell their pages for any amount they desire but must submit \$200 for each page printed in the program.
- 12) All Princess, Teen and Miss Contestants must sell \$200 of donation tickets.
  - a. A prize will be awarded to the contestant who sells the most donation tickets.
  - b. Ticket sales will not be included in the scoring of the pageant, however, if you don't sell the required donation tickets you will not be allowed to compete.
- 13) Sweethearts must have a \$200 Sponsorship Page and sell \$100 in donation tickets.
- 14) If a contestant has an outstanding balance due with the ORPC, all balances must be paid prior to submission of an application.
- 15) The Oklahoma Rodeo Pageants Council has the right to refuse any application for any valid and proven reason.
- 16) All Miss Contestants must have obtained a high school diploma (or equivalent), or provide proof of current high school enrollment.

### **Competition Rules**

- 1) Contestants will be responsible for writing their own biography for the pageant program. Bios will be limited to 150 words, and anything over 150 words will be omitted.
- 2) Miss contestant rooms will be assigned alphabetically by last name.
- 3) The ORPC Board will select Judges.
- 4) The pageant will be judged by no more than four, nor less than three judges.
- 5) Independent accountants will be utilized to tally scores. ORPC members will not have access to completed score sheets. A Head Judge will be selected at Judges' Orientation and that judge will gather the completed score sheets from all judges, place them in a sealed envelope and give the sealed envelope to the Judges' Chaperone. The Judges' Chaperone will be responsible for delivering the sealed envelope to the accountants.
- 6) In the event of any Division ties, the contestant with the highest overall horsemanship score becomes the winner. If there is a tie for the winner of horsemanship, then the highest score on the first go-round will be the winner. If a tiebreaker is still needed, the highest score in the second go-round of horsemanship will be used and then if a tie breaker is still needed the highest score on the written test will be used.

- 7) Tie Breakers for each category, with the exception of written test, will be determined by the 1<sup>st</sup> judge's score. If still tied, then the next judge's score will be used until tie is broken. A tie in written test score will be determined by a judged essay question.
- 8) If there is a tie for Miss Congeniality, the titleholder in that age division will vote.
- 9) A grievance committee will be established including the ORPC Board, and one parent representative from the Miss, Teen, and Princess divisions to be chosen by contestants' parents at Orientation. If a grievance is filed, one parent representative appointed by the board, will serve on the grievance committee. The parent representative will be from a different division than the contestant filing the grievance.
- 10) All grievances must be submitted in writing to the grievance committee within 10 days of Coronation. A special hearing may be scheduled with the ORPC board to hear the grievance.
- 11) Contestants and individuals related to a contestant may not contact judges before, during, or after the pageant in order to influence or harass.
- 12) Score sheets will not be returned, but comment sheets will be given to contestants following the pageant. Comment sheets will be completed at the judges' discretion.
- 13) Contestant numbers will be assigned by last name. In the following events, contestants will compete in numerical order:
  - a. Formal Fashion Show (Fashion Forward, Sponsored Outfit & Western Elegance)
  - b. Introductions and Impromptu Questions at Orientation
  - c. Impromptu questions at the Speech competition.In the following events, contestants will compete in draw order:
  - a. Horsemanship rounds
  - b. Interviews
  - c. SpeechContestants will not be notified of their draw position prior to events. Position draws will take place prior to the start of the pageant and be completed by the ORPC board.
- 14) No one will be allowed in the Miss contestants' rooms **at any time**. Failure to abide by this rule will result in disqualification. This is to ensure the privacy of all contestants.
- 15) Miss contestants must give up their cell phones and all electronic communication devices and the hotel landline can only be used for emergencies. Chaperones will get a read-out of outgoing calls from rooms each morning.

- 16) Teen and Princess Contestants must give their cell phones to their chaperones or a parent during pageant.
- 17) Contestants must wear western attire, including boots, hat and belt to all functions (unless otherwise directed by pageant officials).
- 18) Miss, Teen, and Princess Contestants must wear WRANGLER jeans only.
- 19) Contestants may not wear banners or crowns for the organization they are representing during the contest.
- 20) “Contestant’s Choice” is defined as a Wrangler pant product with a long sleeved shirt, jacket or vest optional. A Fashion Forward outfit is defined as trendy western attire - dress, skirt or Wrangler pant product. Sleeve length must be at least three quarter length. Wrangler does not apply to sweethearts.
- 21) An adult (parent or family member) must accompany Sweetheart contestants at all times.
- 22) Should circumstances occur that a contestant is conducting herself in an improper manner, a meeting of the ORPC Board will be held and proper measures will be taken, up to and including forfeiture of prizes, dismissal and/or disqualification of the contestant.
- 23) Chaperones will complete a check-in at each event noting tardiness and preparation (ex: not bringing all needed items for an event, cell phone usage, etc). Each offense will result in a 5-point deduction. Max points lost will not exceed 50 points.
- 24) If there is only one contestant in an age division, she must compete in all categories and earn a minimum of 60% of eligible points in each category to win the title.
- 25) Miss, Teen, and Princess Contestants must submit a signed statement that they have read and understand the contract, handbook and rulebook.
- 26) Miss contestants must submit a signed copy of the Miss Rodeo America, Inc. Eligibility Requirements (attached to the Miss Application).
- 27) If a contestant chooses to not compete after submitting her application, no refunds of tickets or entry fees will be given, and she must return her donation tickets and/or sales money by the beginning date of the pageant.
- 28) The ORPC reserves final approval of all outfits for suitability at public events.

## **Titleholder Rules**

- 1) The Miss Titleholder must be willing to enter into a contract with the ORPC and be willing and able to compete in the subsequent year's Miss Rodeo America Pageant.
- 2) The Teen and Princess Titleholders and parents/guardian must sign a contract with the Oklahoma Rodeo Pageants Council.
- 3) Titleholders of the Miss Rodeo Oklahoma Scholarship Pageant may not compete in other pageants during the year of their reigns (with the exception of Miss Rodeo Oklahoma competing in the subsequent year's Miss Rodeo America Pageant and Sweethearts may compete the following year as a Sweetheart or Princess contestant).
- 4) All Titleholders must be willing and able to participate in rodeo appearances and other special events as requested by the ORPC.
- 5) Contestants must understand that if they win a title the funding for all expenses including travel and wardrobe will be their responsibility. Teen & Princess Titleholders have the option to hold one fundraising event. Any additional fundraisers must be approved by the ORPC Board. Alcohol is prohibited at Teen and Princess events.
- 6) Miss and Teen contestants must be enrolled in an accredited educational or vocational program to receive scholarship monies or have a current student loan for it to apply towards. Scholarships are distributed to institutions not the individual.
- 7) Titleholders are prohibited from competing in any rodeo at which they are making an appearance as Miss Rodeo Oklahoma, Miss Rodeo Oklahoma Teen or Miss Rodeo Oklahoma Princess.
- 8) Titleholders will designate a charitable organization that they will spend a minimum of 15 hours volunteer time total during their reign. If you would like, the ORPC can recommend a charitable organization. Titleholders will need to have the charitable organization approved by the board and hours recorded and reported to their National Director.
- 9) Should a titleholder be relieved of her title or resign during her reign, she will be ineligible to compete for any future Miss Rodeo Oklahoma competitions or gain membership with the Oklahoma Rodeo Pageants Council, Inc. The ORPC reserves the right to void the membership of family members or relatives subsequent to the dismissal of title and reserves the right to refuse future membership.

The ORPC reserves the right to alter any rule and has the sole authority over any rule discrepancy. If any rules are altered, contestants will be notified that changes have been made prior to the start of the competition.

## Pageant Divisions

There are four pageant categories: Appearance, Personality, Horsemanship, and Knowledge and/or Presentation. Judged events include interviews, speeches, impromptu questions, fashion shows, a written test, and horsemanship.

### OFFICIAL SCORING – Miss, Teen and Princess

Judged Events	Appearance	Personality	Horsemanship	Knowledge and/or Presentation	Total per Judge
Rodeo Performance Presentation	10	20	0	20	50
Horsemanship 1	40	10	150	0	200
Horsemanship 2	0	10	115	0	125
Interview – Horsemanship & Rodeo	45	40	35	0	120
Speech	40	40	0	55	135
Self-Intro at Orientation	20	15	0	10	45
Written Test	0	0	0	80	80
Impromptu Questions at Speeches	0	40	0	40	80
Interview - Personality	45	40	0	35	120
Fashion Show - Fashion Forward	50	30	0	20	100
Fashion Show Sponsored	0	30	0	20	50
Fashion Show - Western Elegance	50	25	0	20	95
Totals	300	300	300	300	1200



**Miss Rodeo Oklahoma**  
**Miss and Teen Horsemanship Score Sheet – 1<sup>st</sup> Round**

Control of Horse: Circles, Size, Speed Variation (Up to 50 pts) \_\_\_\_\_  
Position: Hands, Feet, Seat (Up to 25 pts) \_\_\_\_\_  
Maneuvers: Lead Changes, Stop, Back (Up to 50 pts) \_\_\_\_\_  
Mount/ Dismount (Up to 5 pts) \_\_\_\_\_  
Question (Up to 10 pts) \_\_\_\_\_  
Queen Run (Up to 5 pts) \_\_\_\_\_  
Flag Run (Up to 5 pts) \_\_\_\_\_  
  
Total: (Up to 150pts) \_\_\_\_\_  
  
Personality (Up to 10 pts) \_\_\_\_\_  
  
Appearance (Up to 40 pts) \_\_\_\_\_

**Miss Rodeo Oklahoma**  
**Miss and Teen Horsemanship Scoresheet – 2<sup>nd</sup> Round**  
**(Freestyle pattern with required maneuvers in order)**

Control of Horse: Large Fast Circle, Small Slow Circle (Up to 60 pts) \_\_\_\_\_  
(Ability to control gaits and speed; as well as proper leads)

Stop and Back One Horse Length (Up to 35 pts) \_\_\_\_\_  
(Smooth and controlled completion of maneuver)

Queen Presentation Run Knowledge & Awareness (Up to 20 pts) \_\_\_\_\_  
(Speed, control, and use of arena)

Personality (Up to 10 pts) \_\_\_\_\_  
(Projection from horseback)

**Miss Rodeo Oklahoma  
Princess Horsemanship Score Sheet – 1<sup>st</sup> Round**

Control of Horse: Circles, Size, Speed Variation	(Up to 55 pts)	_____
Position: Hands, Feet, Seat	(Up to 30 pts)	_____
Maneuvers: Lead Changes, Stop, Back	(Up to 55 pts)	_____
Question	(Up to 10 pts)	_____
Total:	(Up to 150pts)	_____
Personality	(Up to 10 pts)	_____
Appearance	(Up to 40 pts)	_____

**Miss Rodeo Oklahoma  
Princess Horsemanship Scoresheet – 2<sup>nd</sup> Round  
(Queen and Flag Run)**

Control of Horse: (Ability to control gaits and speed; as well as maneuvers)	(Up to 60 pts)	_____
Position: (Hands, Feet, Seat)	(Up to 35 pts)	_____
Knowledge & Awareness (Basic horsemanship knowledge... appropriate rein length, aware of other horses and safety etc.)	(Up to 20 pts)	_____
Personality	(Up to 10 pts)	_____

## **1. INTERVIEW**

The purpose of interview is to allow the judges to observe the personality, intelligence, common sense, conversational ability and maturity of each contestant. The questions posed by the judges are not limited to any subject but may include rodeo knowledge, current events, general horse health care, contestants' goals and aspirations, contestants' life experiences, etc.

The interview session(s) are closed to the public and all other contestants.

- 1) The interview may not be recorded on any type of device. This will lead to disqualification.
- 2) The only people to be present in the interview room are: one contestant, the judges and one ORPC timer/chaperone.
- 3) The interviews will be timed and will not exceed 15 minutes per contestant.

## **2. SPEECH**

Speeches allow the judges to evaluate contestants' public speaking ability, poise, and confidence, correct use of grammar, creativity and personality.

- 1) Miss contestants will receive a list of topics from ORPC. The contestants will pick one topic and be given 10 minutes to prepare a one and a half minute speech. Judging is based on content, delivery and the time allotted for the presentation as well as knowledge, poise, professionalism and delivery.
- 2) Teen contestants are required to give a speech about a famous woman in rodeo.
- 3) Princess contestants will give a speech about herself and her family.
- 4) Miss contestants' speeches should be one and one-half minutes.
- 5) Teen contestants' speeches should be between one and one-half to two minutes.
- 6) Princess contestants' speeches should be between one and two minutes.
- 7) If a contestant goes over her time limit, points will be deducted at the judges' discretion, and miss contestants will be stopped.
- 8) The judges' chaperone will time all speeches and give the judges a written document with contestant names and speech times.
- 9) Sweetheart contestants will participate in an on-stage interview in lieu of a speech.

### **3. MODELING/FASHION SHOWS**

The modeling competition allows the judges to evaluate a contestant's sense of style, posture, poise, projection of self-confidence, grooming and knowledge of current rodeo royalty fashion trends.

- 1) Miss contestants are expected to bring and present a basket of Oklahoma themed items to be auctioned off during the Fashion Show. Proceeds will go to the ORPC. The contestant's presentation of her basket will be judged—not the contents of the basket.
- 2) Contestants will model a fashion forward, sponsored and western elegance outfit. Contestants need to bring items such as tank tops, leggings and jewelry to accessorize sponsored outfits. No props allowed. Accessories will be approved by the ORPC.

### **4. PHOTO**

Each contestant must submit an 8x10 color photograph. The 8x10 will be judged in the photogenic category, but no points will be awarded.

- 1) The photograph should be a vertical head and shoulders (bust) shot.
- 2) The contestant must be dressed in tasteful western attire, including a cowboy hat, no crown.
- 3) Copyrighted pictures must have a copyright release.
- 4) The photo must not be framed or mounted.
- 5) Submit the digital photos with application and entry fee.

### **5. IMPROMPTU SITUATIONS**

The purpose of the impromptu question/situation is to test a contestant's ability to think quickly and respond gracefully and intelligently under pressure. An example of an impromptu question/situation could be drawing questions at a luncheon.

- 1) The same question may be asked of each contestant or contestants may randomly draw questions.
- 2) If all contestants are answering the same question, then the contestants who have not answered yet may not watch or listen to the contestants before them.
- 3) If the contestants are drawing random questions they may, or may not all be present. This is to be determined by the ORPC.

## **6. WRITTEN TEST**

A written test will be given to the Miss, Teen, and Princess contestants only. The purpose of this test is to determine a contestant's knowledge of current events; tack; horses – including care, feeding, diseases and anatomy; horsemanship and rodeo terminology; animal rights issues; and PRCA rules, sponsors, standings, and contestants.

- 1) Absolutely no talking will be allowed during testing. Disregard for this rule will result in immediate disqualification.
- 2) The contestant will be provided a pen/pencil and should bring nothing with them to the test room.
- 3) If a contestant is caught with printed or written material or any other means of cheating, she will be disqualified.
- 4) The contestants of each Division will all take the same test.
- 5) Contestants may request reasonable testing accommodations if needed. Requests should be sent to the ORPC President 30 days prior to the pageant. These requests will be kept confidential.

## **7. HORSEMANSHIP**

Horsemanship competition allows the contestants to showcase their riding ability; control of mount; precise execution of patterns; balance of rider; position of hands, feet, and seat; mounting and dismounting. A presentation ride and flag run will also be considered by the judges.

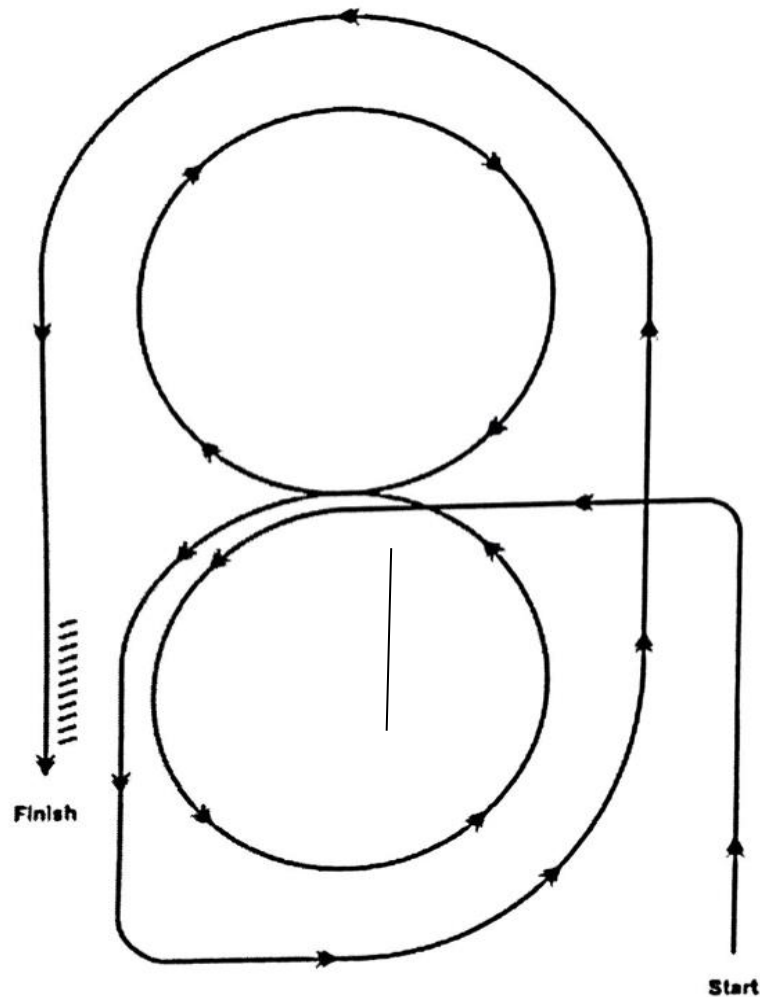
- 1) Miss contestants will provide their own horse for the rodeo performances and parade and will ride draw horses for the horsemanship competition.
- 2) Miss contestants will bring tack for her own horse. Draw horse tack will be provided.
- 3) Miss contestants may not use spurs.
- 4) For Miss and Teen contestants there will be two rounds of horsemanship competition (this may include a pattern, a flag presentation or any other horsemanship related task). Princess contestants will be judged in Horsemanship I by a set pattern; Horsemanship II will consist of a queen run and flag run.
- 5) Miss Contestants will perform one of the three patterns outlined in this rulebook. First round, the contestants will ride the set pattern. The second round will consist of a freestyle pattern with a required set of maneuvers in order. The maneuvers are large fast circle, small

slow circle, stop, back up one horse length, and queen presentation run. The pattern must not exceed one and a half minutes; each contestant will be notified when 30 seconds remain. The Judges reserve the right to make alterations and/or additions to these instructions.

- 6) Teen Contestants will perform one of the two patterns outlined in this rule book for their first round.. The second round will consist of a freestyle pattern with a required set of maneuvers in order. The maneuvers are large fast circle, small slow circle, stop, back up one horse length, and queen presentation run. The pattern must not exceed one and a half minutes; each contestant will be notified when 30 seconds remain. The Judges reserve the right to make alterations and/or additions to these instructions.
- 7) Teen and Princess Contestants will provide a horse for the horsemanship competition. Contestants are not required to own the horse they ride.
- 8) No horses under 3 years of age are allowed.
- 9) No stallions are allowed.
- 10) No unbroken or unsafe horses will be allowed. The ORPC shall determine whether or not a horse is dismissed for behavior.
- 11) Horsemanship is optional for Sweetheart contestants. If Sweetheart contestants ride, they will be allowed to ride an exhibition pattern. Sweetheart contestants may ride one exhibition round alone or with lead line assistance.
- 12) The use of spurs and tie-downs are at the contestants' option, except Miss Contestants, who may not use spurs.
- 13) No chaps are allowed.
- 14) It is the responsibility of the contestants to make sure their hats stay securely on their heads. Failure to do so will result in severe point penalties.
- 15) The Judges may elect to require the contestants to perform any other horsemanship related task they deem relevant.
- 16) Execution of a flag run will be required for Miss, Teen and Princess Contestants. **MISS, TEEN AND PRINCESS CONTESTANTS MUST BRING A FLAG BOOT.**
- 17) Contestants must ride in a western style saddle.
- 18) Split reins are required for Teen and Miss contestants. Split reins are optional for Princess and Sweetheart contestants.

- 19) Legality of tack is to be determined by the pageant judges. Judges will review tack during the warm-up period.
- 20) Should an unfair situation occur, at no fault of the contestant, a re-ride will be granted. Re-rides are at the sole discretion of the pageant judges.
- 21) Every element of the horsemanship portion of the competition will be scored regardless of execution of set pattern.
- 22) Failure to execute the set pattern will not constitute disqualification of contestant.
- 23) The judges have the right to ask the contestants questions during the horsemanship competition.
- 24) Miss contestants will be given 3 pattern options. Judges will determine which will be used prior to the horsemanship competition.
- 25) A teen or princess contestant's parent or other adult representative may saddle the contestant's horse for horsemanship, rodeo performances, and the parade. Miss contestant's parent or other adult representative may saddle the contestant's horse for rodeo performances and the parade.
- 26) One parent or other adult representative may remain in the warm-up area with Teen and Princess Contestants. A parent or adult family member must remain with Sweetheart contestants. No parent or adult representative is allowed to accompany Miss contestants.
- 27) Miss and Teen Contestants **may** be used to run flags at rodeo.
- 28) Contestants will be allowed one horse during the pageant. If a horse is deemed unfit by a vet or horsemanship committee, an alternate horse will be provided by ORPC.
- 29) Parents or adult representative cannot stand with contestants behind arena during rodeo. If needed they can stand behind the fence.

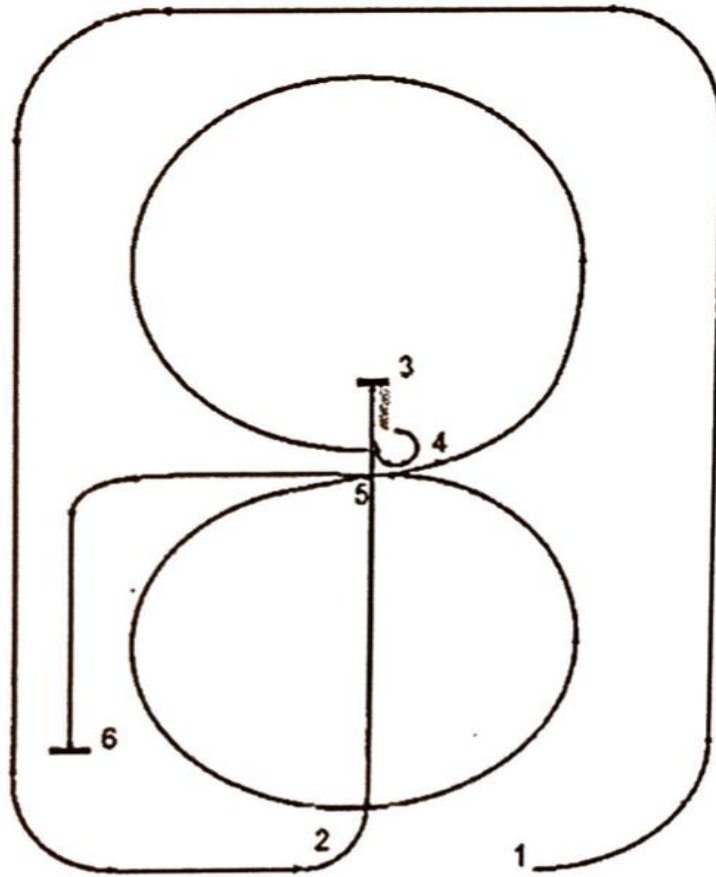
## Miss Pattern 1



1. Extended jog along the side of arena, then to center
2. Begin lope at center of arena and lope left circle on left lead
3. Change leads at center of arena and lope right circle on right lead
4. Change leads and continue loping around end of arena
5. Once on the straight, increase speed and continue around end of arena
6. Stop and back
7. The MRAP Judges reserve the right to make alterations and/or additions to this pattern.

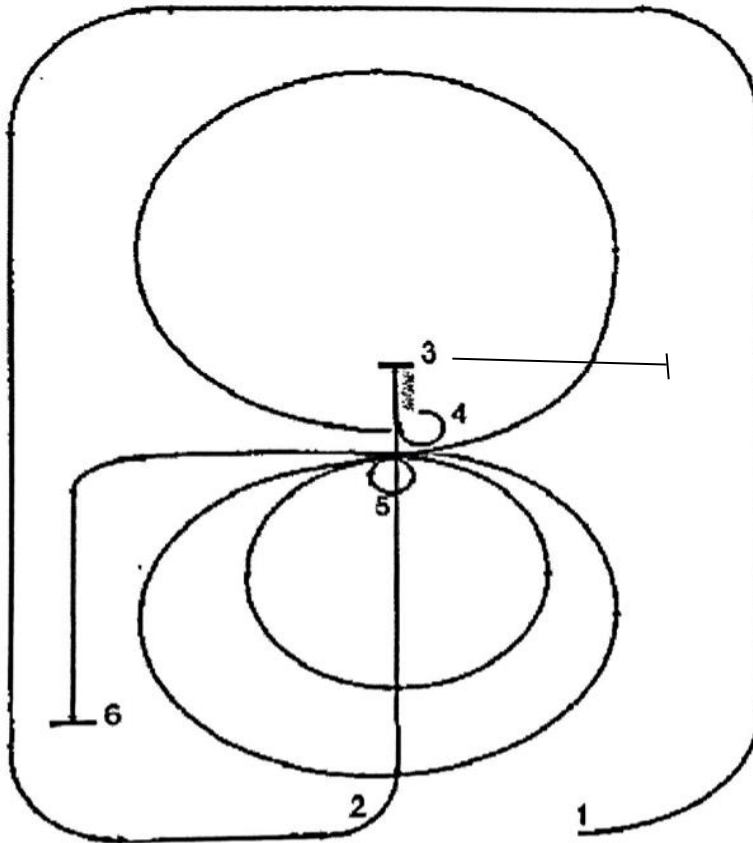


## Miss Pattern 2



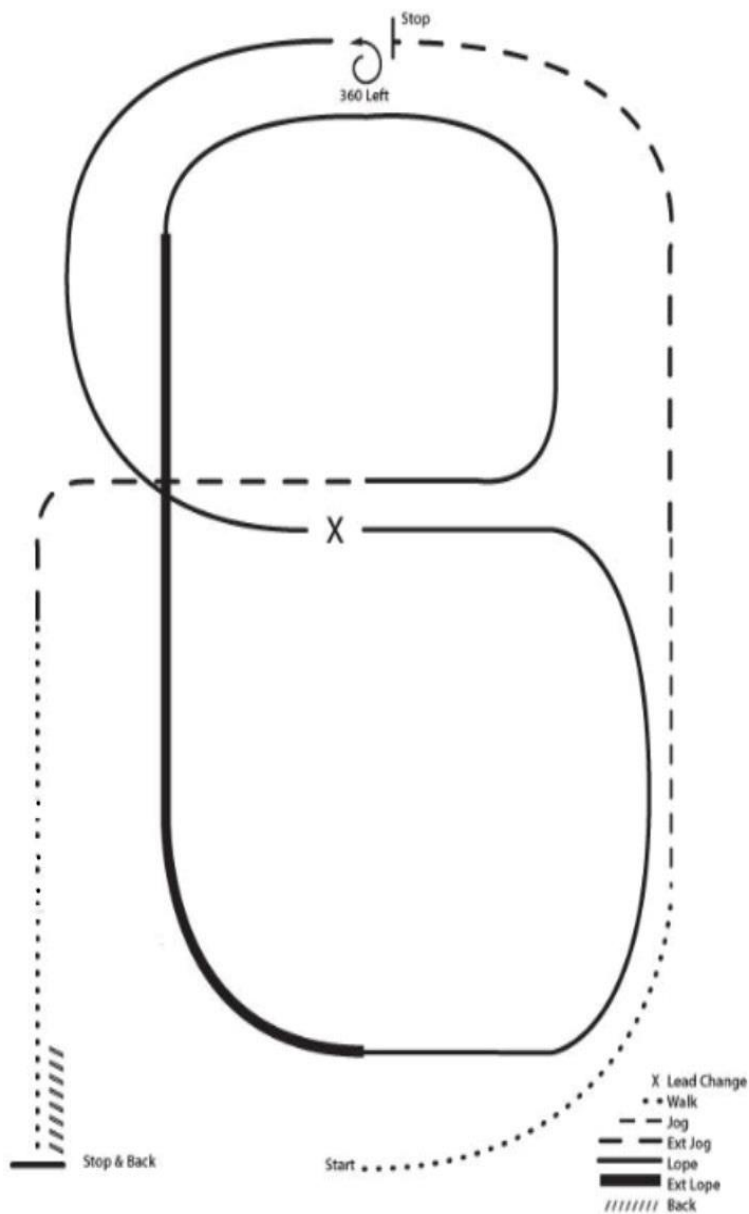
1. Circle the arena, on the left lead, at an extended lope
2. Guide left and lope down the center of the arena with moderate speed
3. Pass the center of the arena, stop and back to the center
4. Execute a 3/4 turn to the right and lope a circle, to the right, with moderate speed
5. Change leads and lope a circle, to the left, with moderate speed. After completing the circle, continue loping on the left lead toward the end of the arena
6. Stop and pause to show completion of pattern
7. The MRAP Judges reserve the right to make alterations and/or additions to this pattern.

## Miss Pattern 3



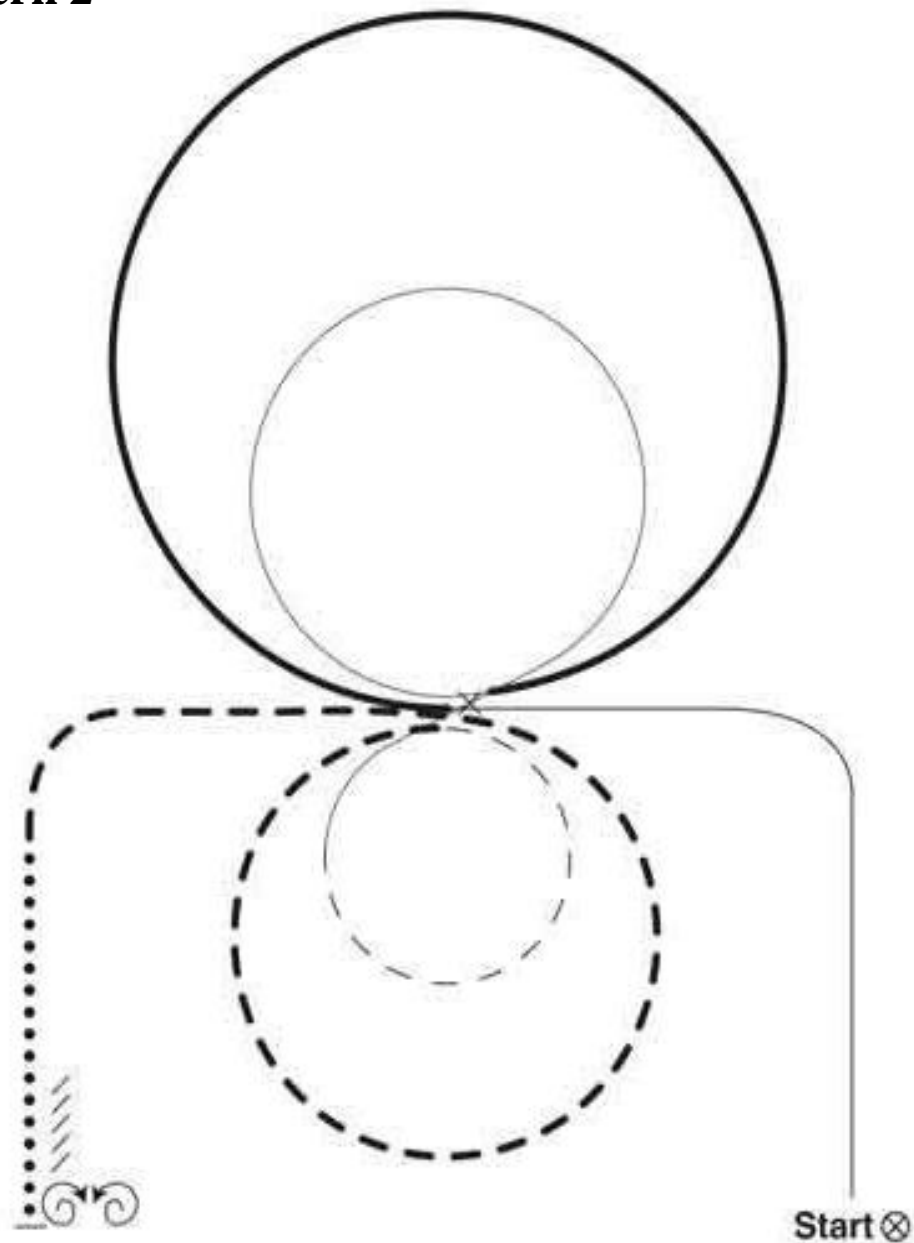
1. Circle the arena, on the left lead, at an extended lope.
2. Guide left and lope down the center of the arena with moderate speed.
3. Pass the center of the arena, stop and back to the center.
4. Execute a  $\frac{3}{4}$  turn to the right and lope a circle, to the right with moderate speed.
5. Stop in the center, execute a  $360^{\circ}$  turn, to the left. Lope a small slow circle, to the left, followed by a larger, faster circle to the left. At the center of the arena, rate back to the slower speed and continue loping on the left lead toward the end of the arena.
6. Stop and pause to show completion of pattern.
7. The MRAP Judges reserve the right to make alterations and/or additions to this pattern.

# Teen Pattern 1



1. Walk
2. Jog/Trot
3. Extend the jog, at the top of the arena, stop
4. 360 turn to the left
5. Left lead ½ circle, lope to the center
6. Change leads (simple or flying)
7. Right lead ½ circle
8. Extended lope up the long side of the arena (right Lead)
9. Collect back to a lope around the top of the arena and back to center
10. Break down to an extended jog
11. Stop and back
12. Walk to Judges

## Teen Pattern 2



1. Lope left lead to the middle.
2. Change leads (simple or flying)
3. Lope a large circle to the right with speed
4. Lope a smaller slower circle
5. Change leads (simple or flying)
6. Lope  $\frac{1}{4}$  of a smaller circle before transitioning to a jog/trot to finish circle
7. Extended trot larger circle and corner
8. Transition to a walk without losing forward motion
9. Stop
10. Turn 360 degrees both ways (either way first)
11. Back
12. Walk to Judges

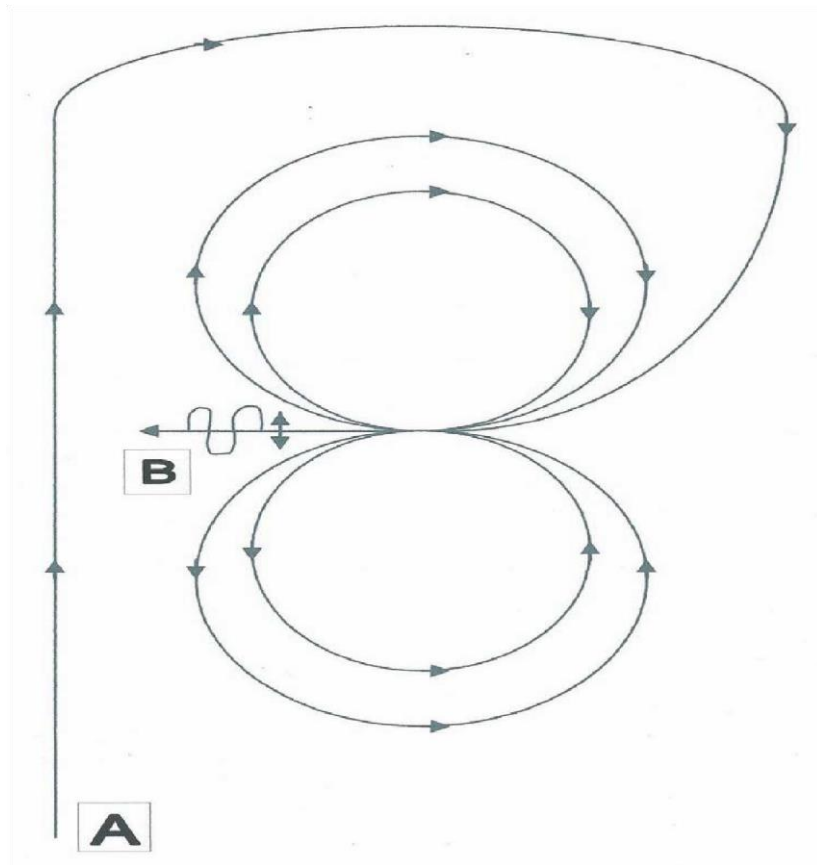
## PRINCESS Pattern

Ride pattern as follows:

1. Begin work at a lope at A.
2. First circle slow and small. (Begin to the left.)
3. Second circle faster and larger (to the left).
4. Third circle slow and small (to the right).
5. Fourth circle faster and larger (to the right).
6. Stop at point B.
7. Back.
8. Walk a few steps forward.
9. Pivot no more than 90 degrees.
10. Pivot opposite direction no more than 180 degrees.
11. Walk to judge.
12. The ORPC judges and/or committee reserve the right to make alterations and or additions to this pattern.

\* Simple or flying lead changes are acceptable.

\*\* Princess pattern is four circles – not figure eights.



## **SWEETHEART Pattern**

Sweethearts may complete their patterns alone or with lead line assistance.

This pattern will be executed between markers A and B. They will not use the whole arena.

Ride pattern as follows:

1. Begin work to the right.
2. Trot figure eight.
3. Stop at A.
4. Back up.
5. Walk to judge
6. The ORPC judges and/or committee reserve the right to make alterations and or additions to this pattern.

SWEETHEART PATTERN

